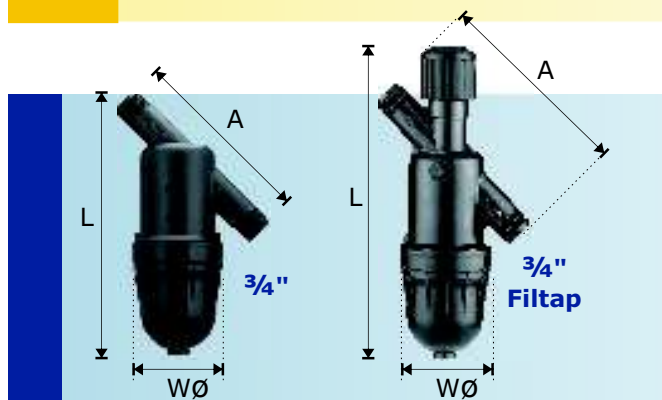


Manual Disc Filters 3/4"-1"-1 1/2"

Inlet/Outlet Connection: 3/4"-1"-1 1/2"

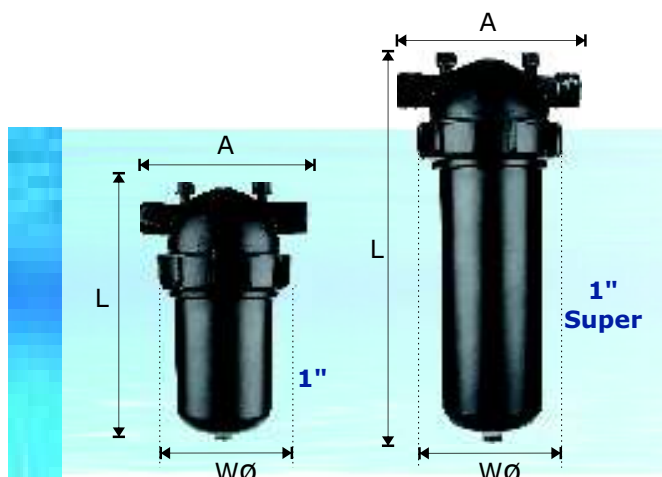
Standard Features:

- Innovative filter design captures and retains large amounts of solids
- Operation is easy and requires no special tools
- Excellent corrosion resistance
- Long life span
- Polyamide housing - resistant to harsh environmental conditions (3/4" PBT housing)



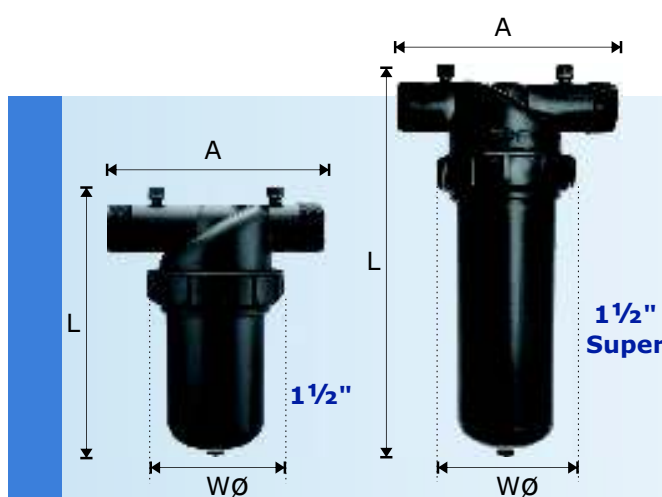
3/4" Technical Data

	3/4" w/o valve	3/4" Filtap (with valve)
Max. pressure	10 bar	10 bar
Flow rate: 400-100 micron (40-140 mesh)	4 m ³ /h	4 m ³ /h
Filtration surface area	160 cm ²	160 cm ²
Filtration volume	95 cm ³	95 cm ³
Filter length - L	144 mm	210 mm
Filter width - WØ	74 mm	74 mm
Distance between end connections - A	150 mm	155 mm
Weight	0.37 kg	0.42 kg



1" Technical Data

	1"	1" Super
Max. pressure	10 bar	10 bar
Flow rate: 400-100 micron (40-140 mesh)	6 m ³ /h	8 m ³ /h
55 micron	4 m ³ /h	6 m ³ /h
Filtration surface area	306 cm ²	500 cm ²
Filtration volume	360 cm ³	592 cm ³
Filter length - L	233 mm	340 mm
Filter width - WØ	130 mm	130 mm
Distance between end connections - A	158 mm	158 mm
Weight	1.1 kg	1.4 kg



1 1/2" Technical Data

	1 1/2"	1 1/2" Super
Max. pressure	10 bar	10 bar
Flow rate: 400-100 micron (40-140 mesh)	8 m ³ /h	12 m ³ /h
55 micron	5 m ³ /h	8 m ³ /h
Filtration surface area	306 cm ²	500 cm ²
Filtration volume	360 cm ³	592 cm ³
Filter length - L	250 mm	350 mm
Filter width - WØ	130 mm	130 mm
Distance between end connections - A	200 mm	200 mm
Weight	1.3 kg	1.5 kg

• Measurements are for reference only

Manual Disc Filters 2"-3"

Inlet/Outlet Connection: 2" - 3"

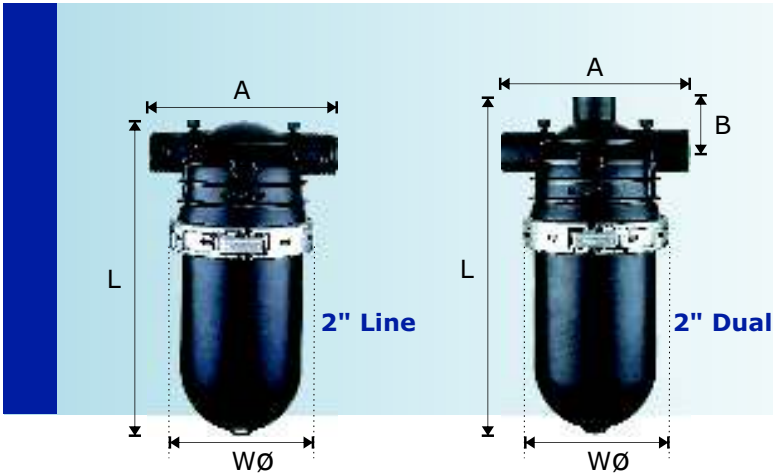
Standard Features:

- Innovative filter design captures and retains large amounts of solids
- Operation is easy and requires no special tools
- Excellent corrosion resistance
- Long life span

Special Features:

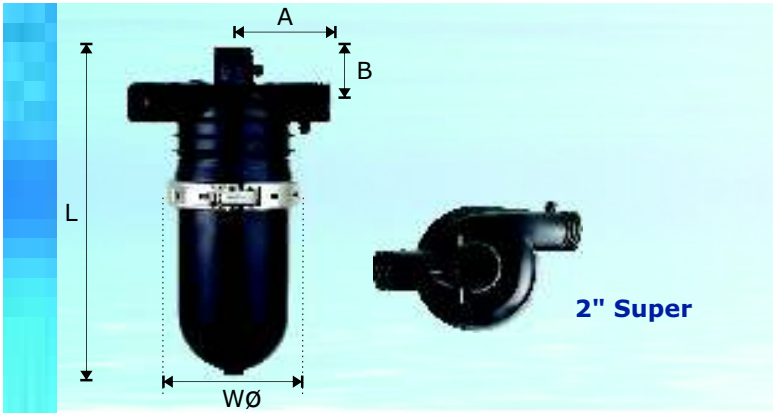
- 2" super filter - Tangential inlet for higher retention capacity
- 2" Dual filter - Angle or in-line outlet options for maximum flexibility
- 3" Twin filter - Largest filtration area of comparable products
- Polyamide housing - resistant to harsh environmental conditions

2" Line/Dual Technical Data



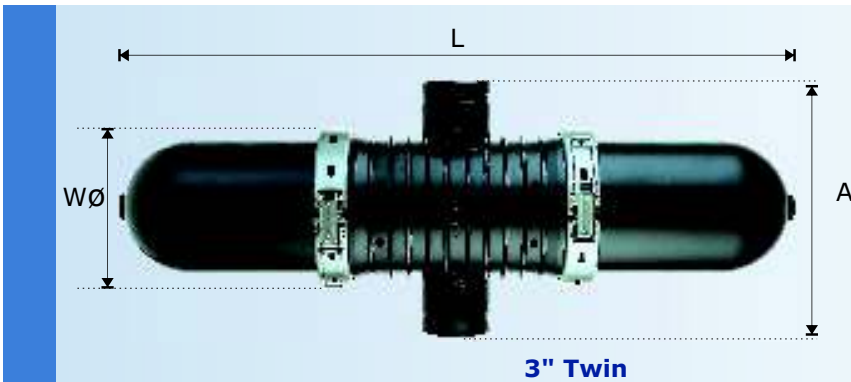
Max. pressure	10 bar
Flow rate:	
400-100 micron (40-140 mesh)	25 m ³ /h
70 micron	20 m ³ /h
55 micron	17 m ³ /h
20 micron	8 m ³ /h
Filtration surface area	950 cm ²
Filtration volume	1,225 cm ³
Filter length - L	437 mm/465 mm
Filter width - WØ	200 mm
Distance between end connections	A. 260 mm B. 76 mm
Weight	5 kg

2" Super Technical Data



Max. pressure	10 bar
Flow rate:	
400-100 micron (40-140 mesh)	25 m ³ /h
70 micron	20 m ³ /h
55 micron	17 m ³ /h
20 micron	8 m ³ /h
Filtration surface area	950 cm ²
Filtration volume	1,225 cm ³
Filter length - L	495 mm
Filter width - WØ	200 mm
Distance between end connections	A. 145 mm, B. 85 mm
Weight	6 kg

3" Twin Technical Data



Max. pressure	10 bar
Flow rate:	
400-100 micron (40-140 mesh)	50 m ³ /h
70 micron	40 m ³ /h
55 micron	34 m ³ /h
20 micron	16 m ³ /h
Filtration surface area	1,900 cm ²
Filtration volume	2,450 cm ³
Filter length - L	865 mm
Filter width - WØ	200 mm
Distance between end connections - A	320 mm
Weight (flanged)	13.95 kg
Weight (victualic, threaded)	9.85 kg

• Measurements are for reference only

Manual Disc Filters 2"-3" Leader

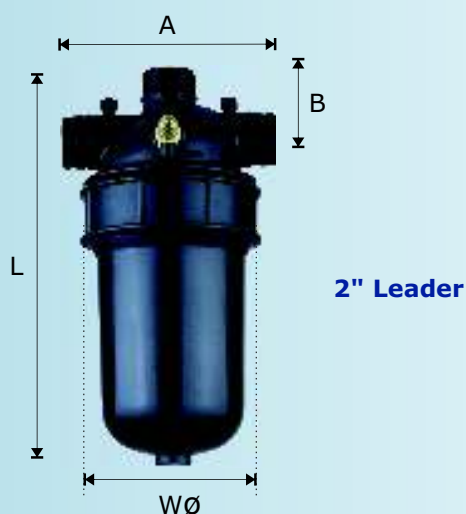
Inlet/Outlet Connection: 2" - 3"

Standard Features:

- Innovative filter design captures and retains large amounts of solids
- Operation is easy and requires no special tools
- Long life span

Special Features:

- Easy to open, clean and close
- Suitable for all commonly used fertilizers and acids
- Suitable for sea and brackish water, high and low pH 2-13
- Polypropylene housing - excellent chemical resistance



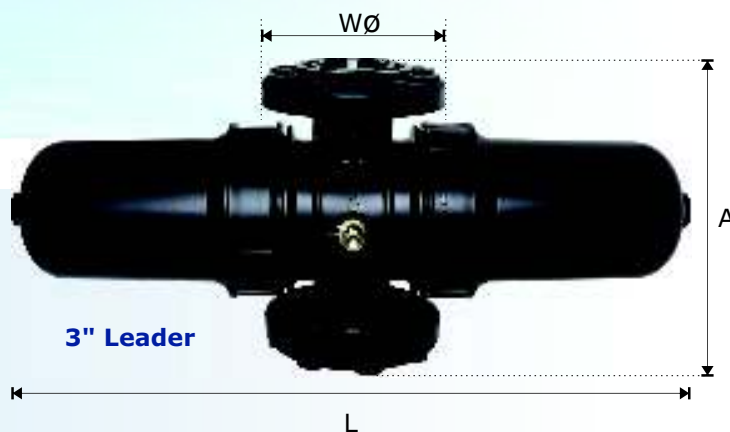
2" Leader Technical Data

Max. pressure	10 bar
Flow rate: 400-100 micron (40-140 mesh)	25 m ³ /h
70 micron	20 m ³ /h
55 micron	17 m ³ /h
20 micron	8 m ³ /h
Filtration surface area	950 cm ²
Filtration volume	1,225 cm ³
Filter length - L	425 mm
Filter width - WØ	195 mm
Distance between end connections	A. 230 mm
	B. 75 mm
Weight	3.2 kg

3" Leader Technical Data

Max. pressure	10 bar
Flow rate:	50 m ³ /h
400-100 micron (40-140 mesh)	
70 micron	40 m ³ /h
55 micron	34 m ³ /h
20 micron	16 m ³ /h
Filtration surface area	1,900 cm ²
Filtration volume	2,450 cm ³
Filter length - L	742 mm
Filter width - WØ	200 mm
Distance between end connections - A	320 mm
Weight (flanged)	8 kg
Weight (victualic, threaded)	6.3 kg

• Measurements are for reference only



Manual Disc Filters 2" Dual Lite 3" Twin Lite

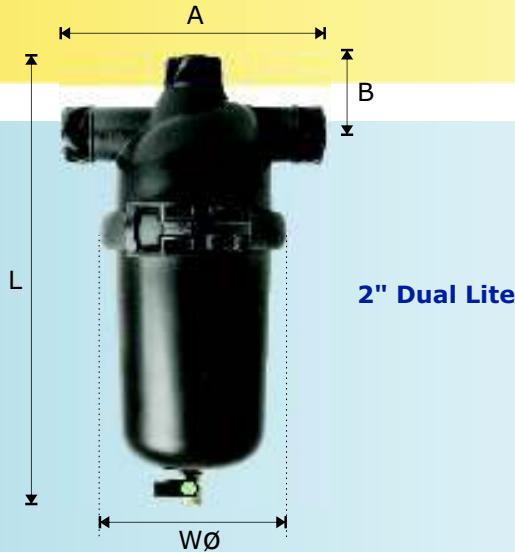
Inlet/Outlet Connection: 2"- 3"

Standard Features:

- Innovative filter design captures and retains large amounts of solids
- Operation is easy and requires no special tools
- Long life span

Special Features:

- Easy to open, clean and close
- Suitable for all commonly used fertilizers and acids
- Suitable for sea and brackish water, high and low pH 2-13
- Polypropylene Housing - Excellent chemical resistance
- Unique polymeric clamp



2" Dual Lite

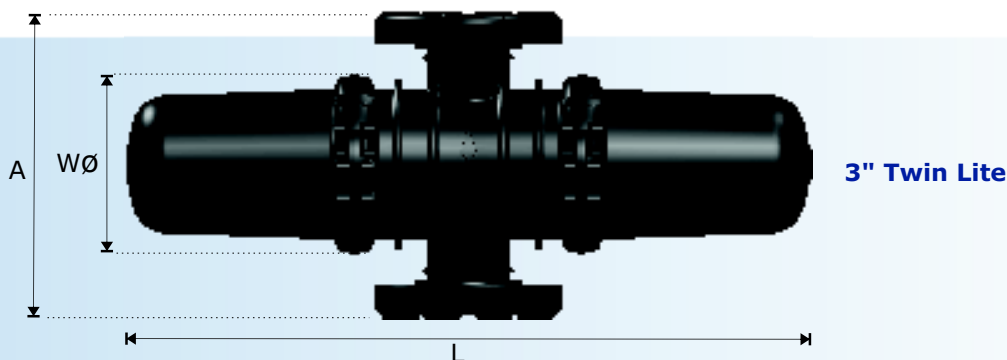
2" Dual Lite Technical Data

Max. Pressure	8 bar
Flow rate 400-100 micron (40-140 mesh)	25 m ³ /h
70 micron	20 m ³ /h
55 micron	17 m ³ /h
20 micron	8 m ³ /h
Filtration surface area	950 cm ²
Filtration volume	1,225 cm ³
Filter length - L	416 mm
Filter width - WØ	225 mm
Distance between connections	A. 260 mm
	B. 75 mm
Weight	3 kg

3" Twin Lite Technical Data

Max. Pressure	8 bar
Flow rate 400-100 micron (40-140 mesh)	50 m ³ /h
70 micron	40 m ³ /h
55 micron	34 m ³ /h
20 micron	16 m ³ /h
Filtration surface area	1,900 cm ²
Filtration volume	2,450 cm ³
Filter length - L	840 mm
Filter width - WØ	225 mm
Distance between connections - A	320 mm
Weight	5.9 kg

• Measurements are for reference only



3" Twin Lite

Manual Disc Filters 3"-4" Super Angle

Inlet/Outlet Connection: 3"- 4"

Standard Features:

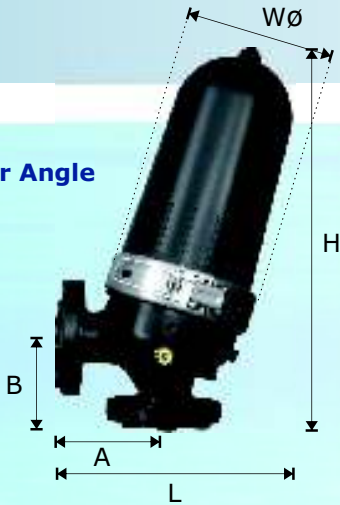
- Innovative filter design captures and retains large amounts of solids
- Operation is easy and requires no special tools
- Long life span

Special Features:

- Easy to open, clean and close
- Suitable for all commonly used fertilizers and acids
- Suitable for sea and brackish water, high and low pH 2-13
- Polypropylene housing - excellent chemical resistance



3" Super Angle



3" Super Angle Technical Data

Max. pressure	10 bar
Flow rate: 400-100 micron (40-140 mesh)	50 m ³ /h
55 micron	35 m ³ /h
20 micron	18 m ³ /h
Filtration surface area	1,852 cm ²
Filtration volume	2,223 cm ³
Filter height - H	666 mm
Filter length - L	397 mm
Filter width - Wø	280 mm
Distance between end connections	A. 185 mm, B. 145 mm
Weight - flanged	12.55 kg
Weight - victaulic, threaded	11.05 kg

4" Super Angle



4" Super Angle Technical Data

Max. pressure	10 bar
Flow rate: 400-100 micron (40-140 mesh)	60 m ³ /h
55 micron	40 m ³ /h
20 micron	20 m ³ /h
Filtration surface area	1,852 cm ²
Filtration volume	2,223 cm ³
Filter height - H	664 mm
Filter length - L	410 mm
Filter width - Wø	280 mm
Distance between end connections	A. 187 mm, B. 145 mm
Weight - flanged	13.50 kg
Weight - victaulic, threaded	11.40 kg

- Manifold construction material options: Polypropylene, Polyester Coated, Stainless Steel
- Measurements are for reference only

Manual Disc Filters 4"-6" Super Leader

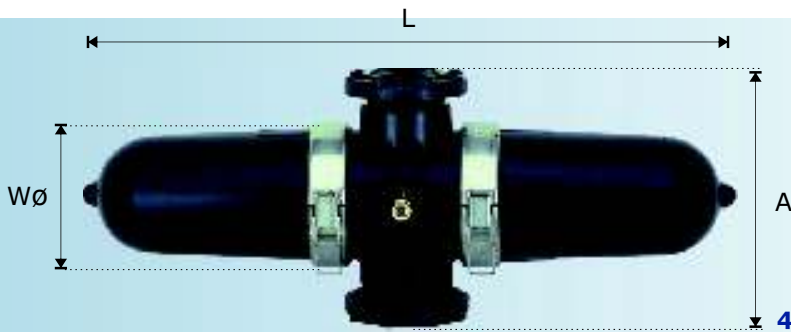
Inlet/Outlet Connection: 4" - 6"

Standard Features:

- Innovative filter design captures and retains large amount of solids
- Operation is easy, requires no special tools
- Long life span

Special Features:

- The largest polypropylene disc filters
- Easy to open, clean and close
- Suitable for all commonly used fertilizers and acids
- Suitable for sea and brackish water, high and low pH 2-13
- Polypropylene housing - excellent chemical resistance



4" Super Leader

4" Super Leader Technical Data



Max. pressure	10 bar
Max. flow rate 400-100 micron	110 m ³ /h
Filtration surface area	3,704 cm ²
Filtration volume	4,446 cm ³
Filter length - L	1,185 mm
Filter width - Wø	280 mm
Distance between connections - A	445 mm
Weight flanged	24.65 kg

*Optional; 415 mm for old version victaulic ends

6" Super Leader Technical Data



6" Super Leader

Max. pressure	10 bar
Max. flow rate 400-100 micron	160 m ³ /h
Filtration surface area	3,704 cm ²
Filtration volume	4,446 cm ³
Filter length - L	1,185 mm
Filter width - Wø	280 mm
Distance between connections - A	415 mm
Weight flanged	26.40 kg

- Manifold construction material options: Polypropylene, Polyester Coated, Stainless Steel
- Measurements are for reference only